

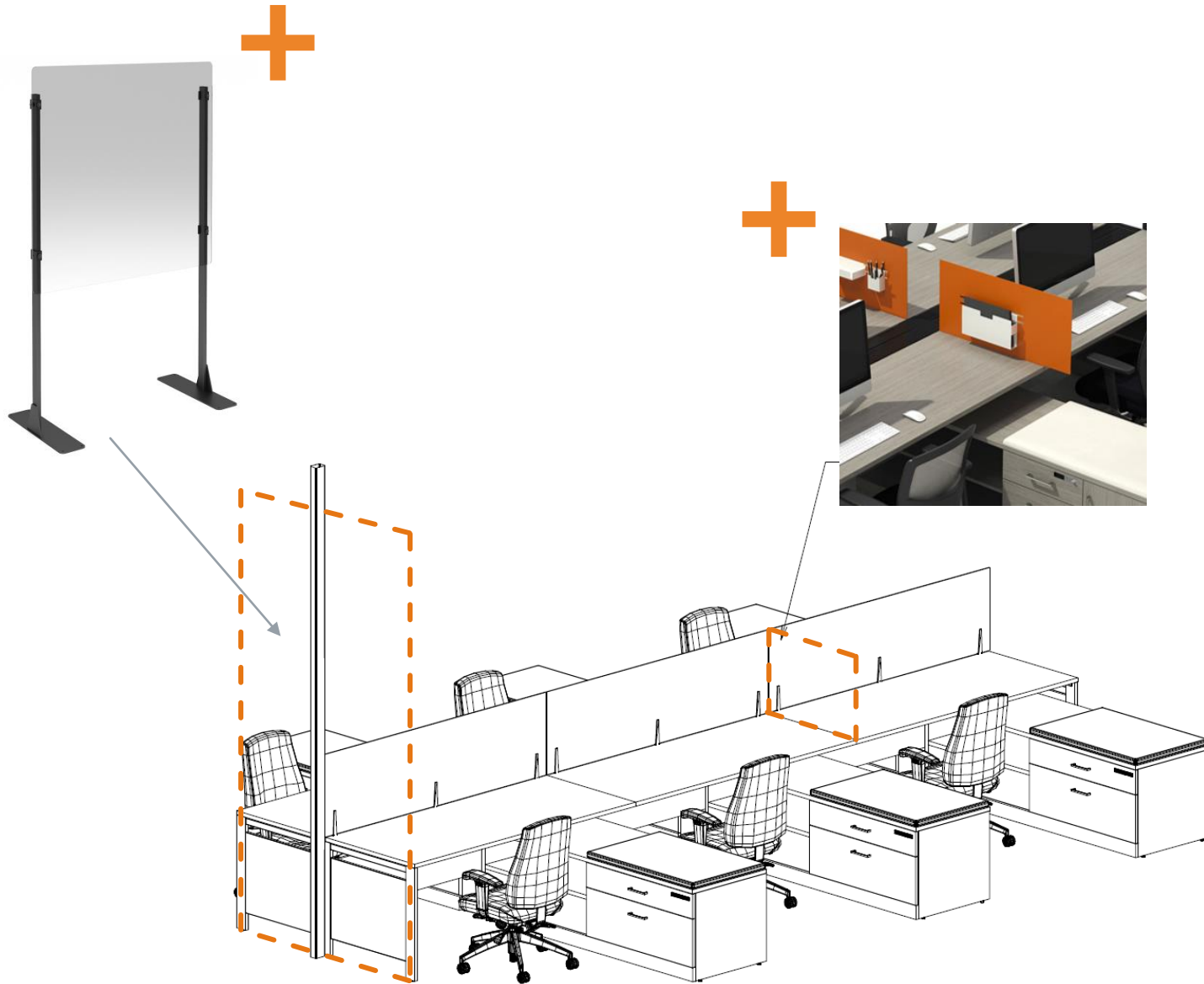
A modern office interior with large windows overlooking a city skyline. The office features two cubicles with light wood desks and white frames. Each cubicle has a black ergonomic office chair. In the foreground, there is a round white table on a striped rug, surrounded by three blue and one tan cube-shaped ottomans on wheels. A framed abstract geometric artwork hangs on a dark blue wall to the right.

POST-COVID WORKPLACE

REDESIGNED FOR HEALTH AND SAFETY



Jefferson Group | 203-967-1900 | 212-967-1911 | www.Jefferson-group.com



**ACCOMPANY
YOUR
EXISTING
FURNITURE
WITH WELLNESS
SCREENS**





SURFACE MOUNTED LEXAN SCREENS



Surface mounted lexan screen can be taped or screwed down to flat surfaces. Screen can be mounted flush to bottom of stanchion or elevated two inches to create a gap for transactions. Easily cleanable with disinfectant solutions.



FREESTANDING LEXAN SCREENS

Freestanding lexan screens available on glides or locking casters. Screens with tall stanchions can have lexan mounted at 54" or 78" to the top as shown. Easily cleanable with disinfectant solutions.



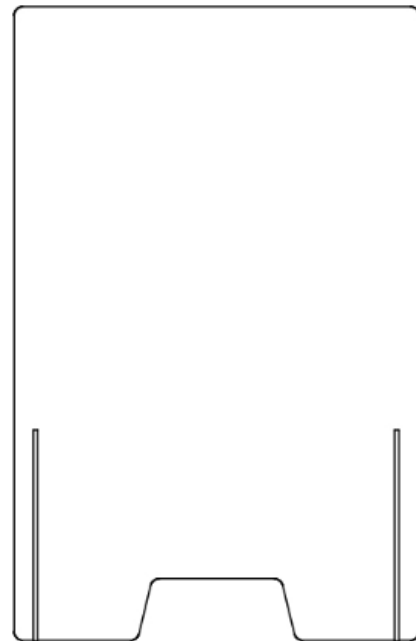
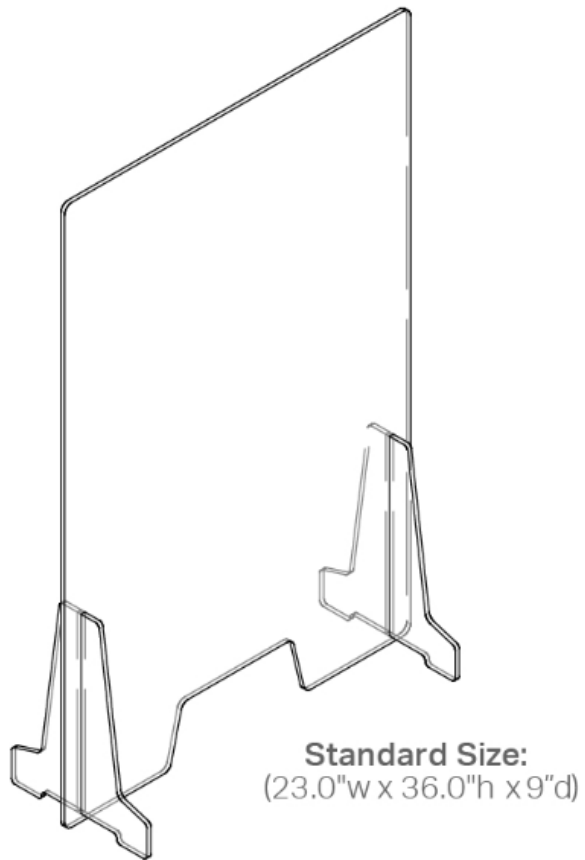


Sound absorption



Jefferson Group | 203-967-1900 | 212-967-1911 | www.Jefferson-group.com

HOSU



- Easy to assemble, no tools required.**
- Sits on any work surface. Easily removable (no damage).**
- Repositionable and portable.**
- Easy to clean and assemble.**
- Disassembles in seconds.**
- Packs/stores flat for easy storage.**



Clear, or Writable dividers available in custom sizes
To fix your application!
Can be Mobile , Fixed or Countertop



Contact Us:

Jefferson Group LLC

Web: www.jefferson-group.com

Email: orders@jefferson-group.com

Tel: (877) 978 8500

THANK YOU